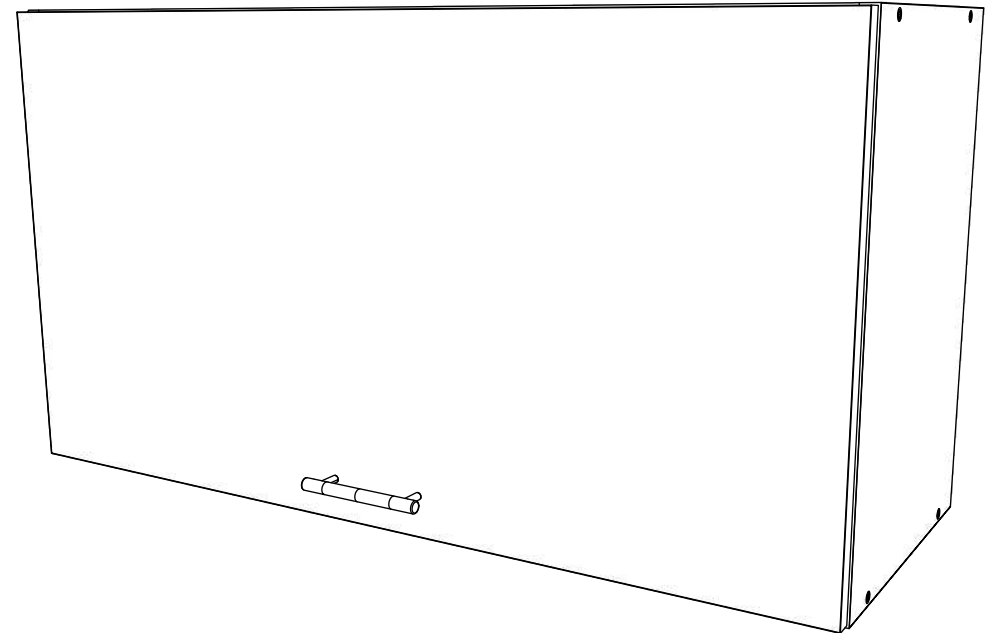
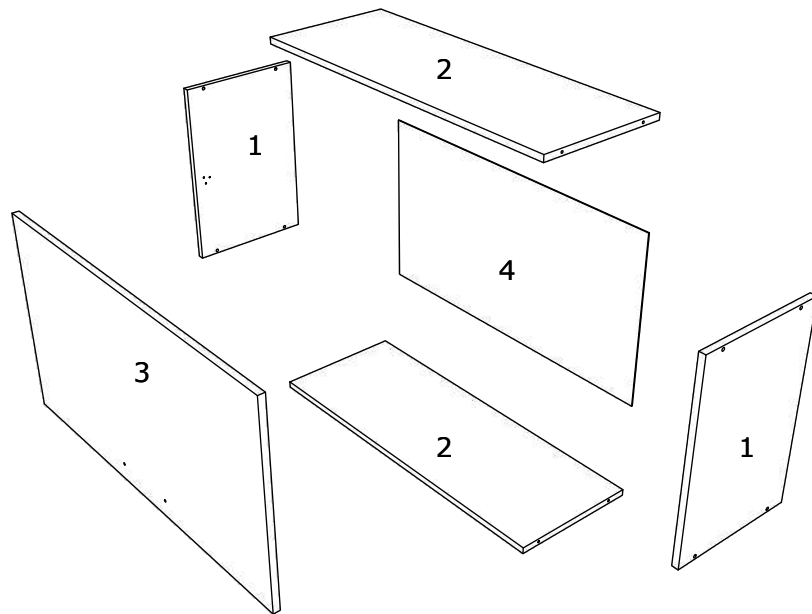
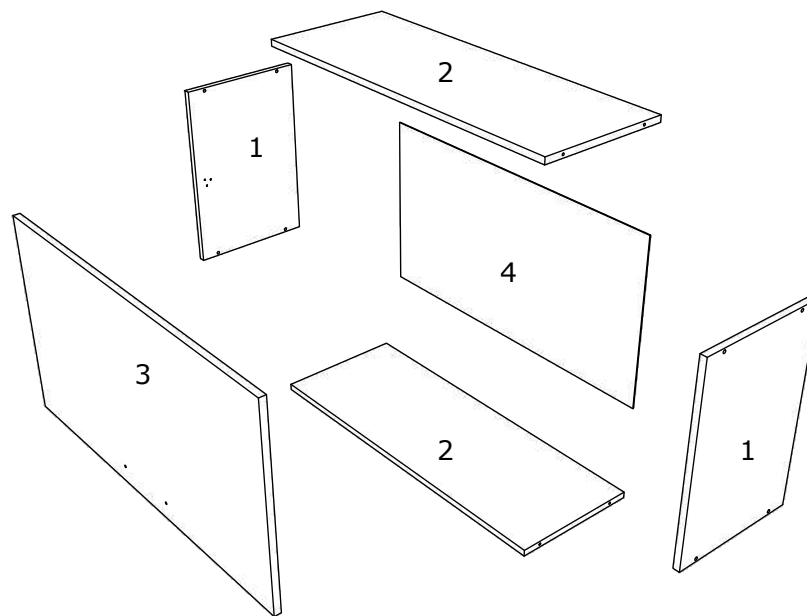
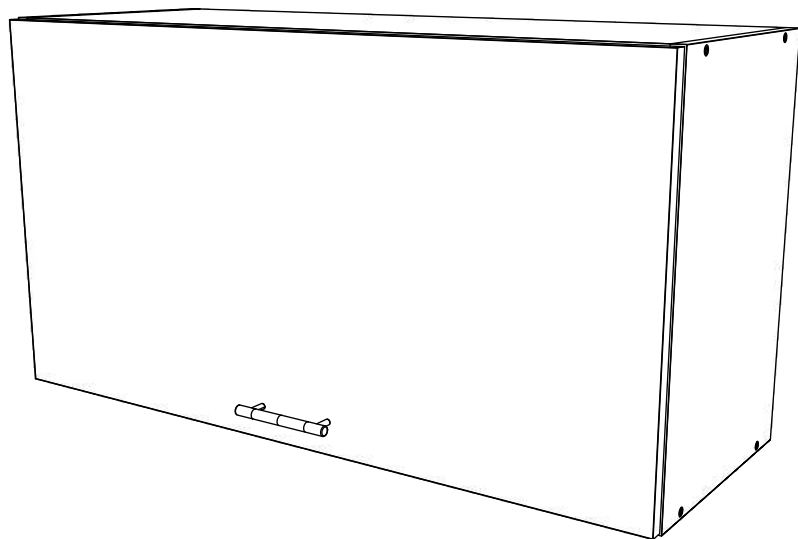







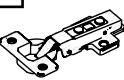

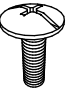
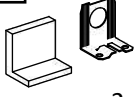

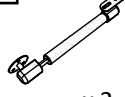
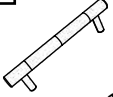
**EN** ASSEMBLY INSTRUCTIONS - **SUPERIOR CABINET KALAPA - 900 x 340 x 480 MM**

**EN**

NUMBER	LENGTH	WIDTH	PCS	COLOUR
1	480	320	2	COLOUR1
2	868	320	2	COLOUR1
3	896	476	1	COLOUR1
4	896	476	1	BACK PANEL



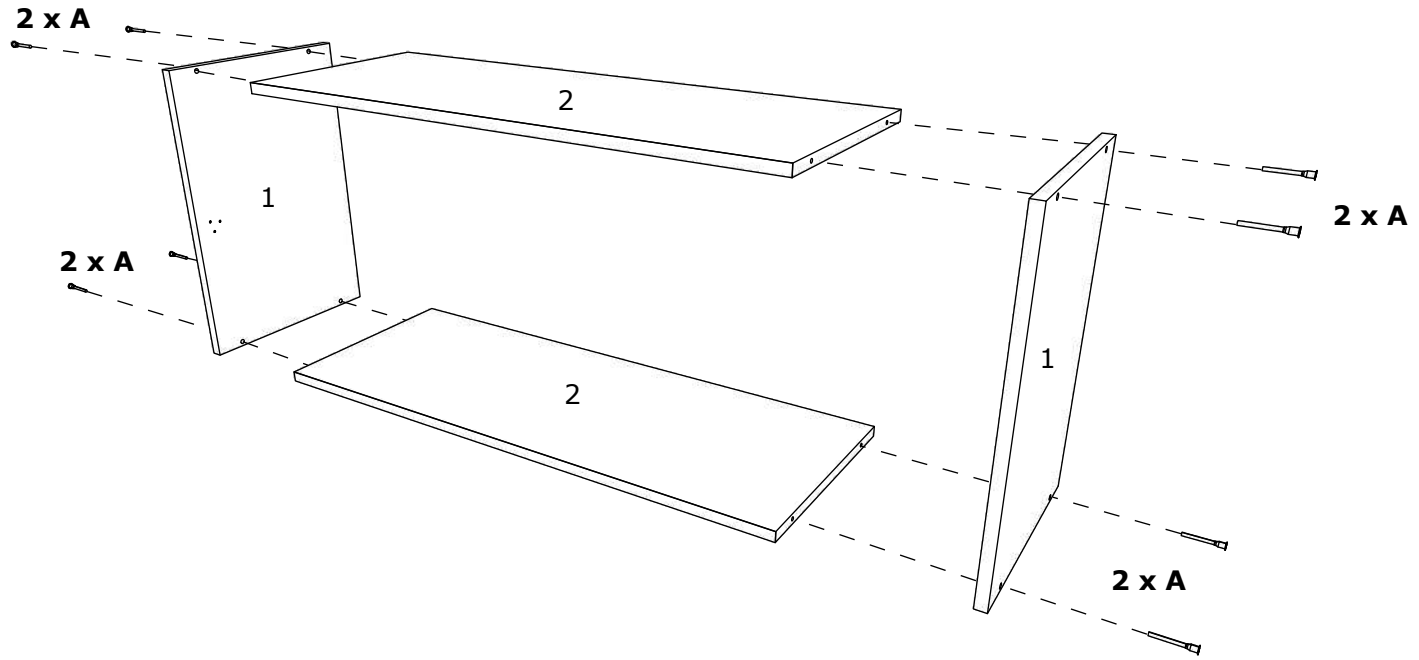
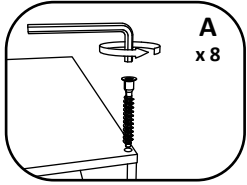


<b>A</b> 7x50mm  x 8	<b>A*</b>  x 8	<b>B</b> 6 x 80 mm  x 2	<b>C</b>  x 2	<b>D</b> 3.5 x 16 mm  x 22	<b>E</b>  x 2
<b>F</b>  x 28	<b>G</b> M4 x 22 mm  x 2	<b>H</b>  x 2	<b>I</b>  x 1	<b>J</b>  x 2	<b>K</b> 96 mm  x 1

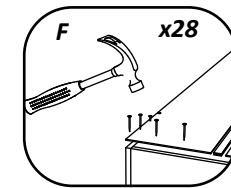
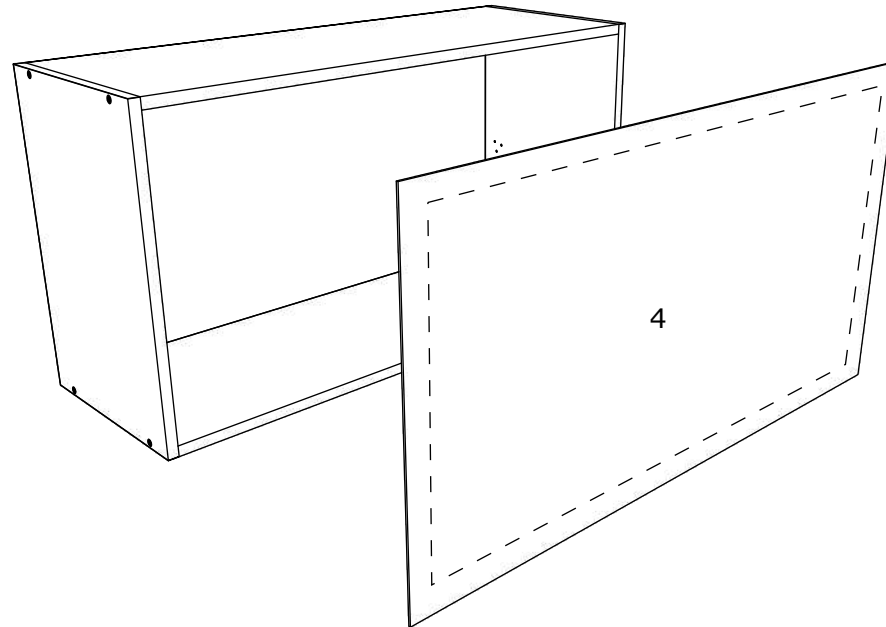
EN

NUMBER	LENGTH	WIDTH	PCS	COLOUR
1	480	320	2	COLOUR1
2	868	320	2	COLOUR1
3	896	476	1	COLOUR1
4	896	476	1	BACK PANEL

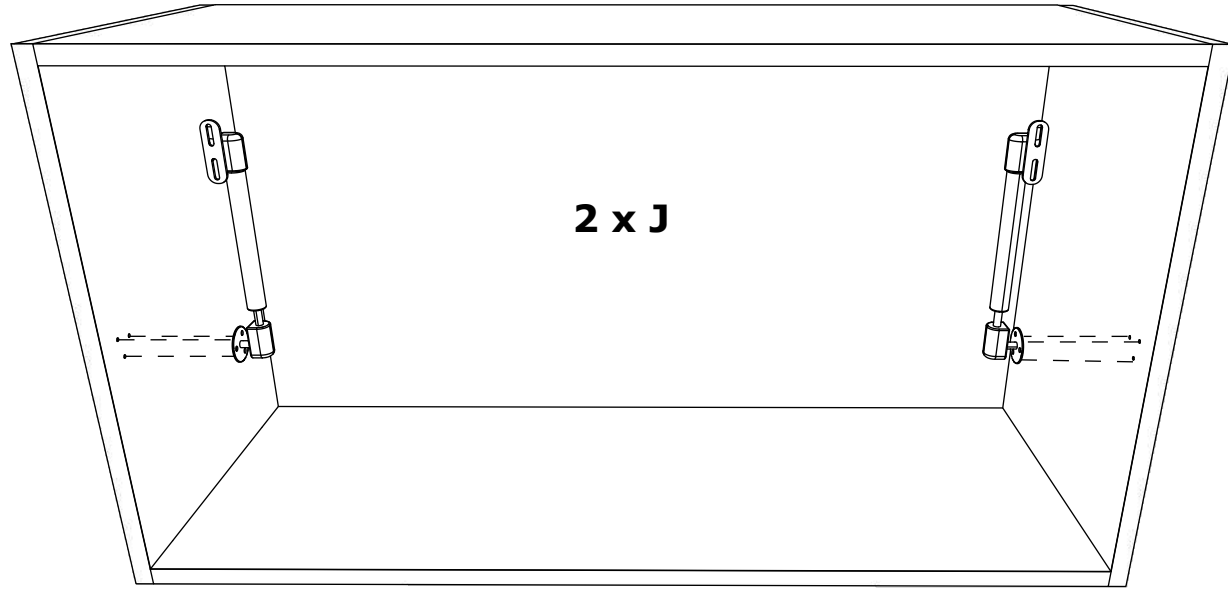
1



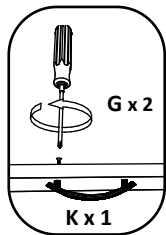
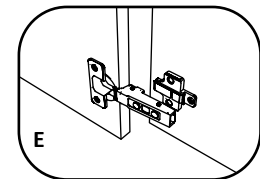
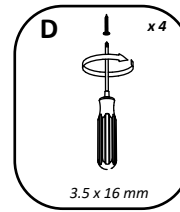
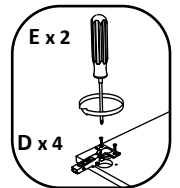
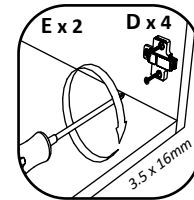
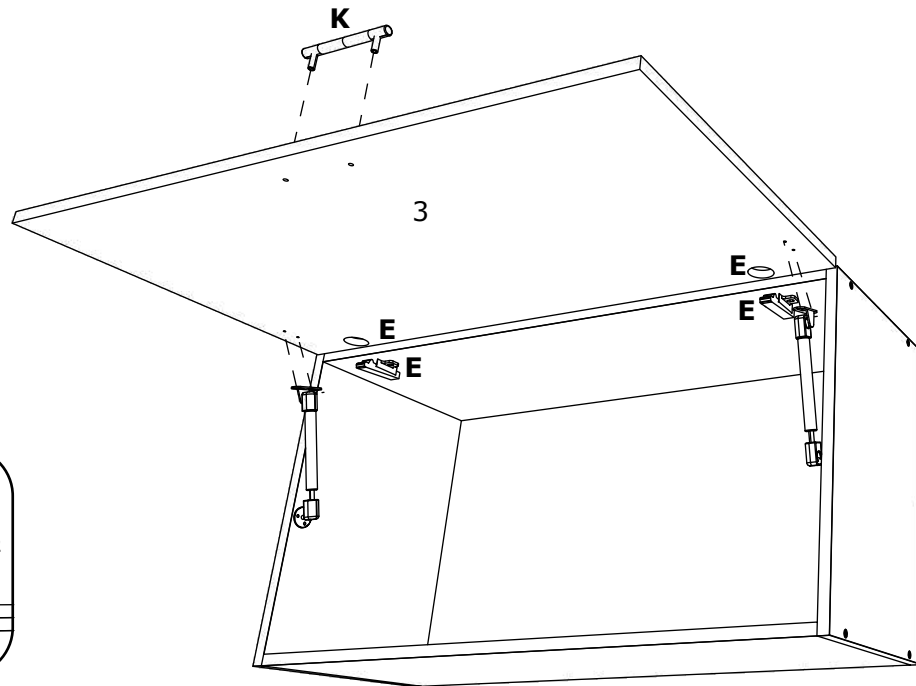
2



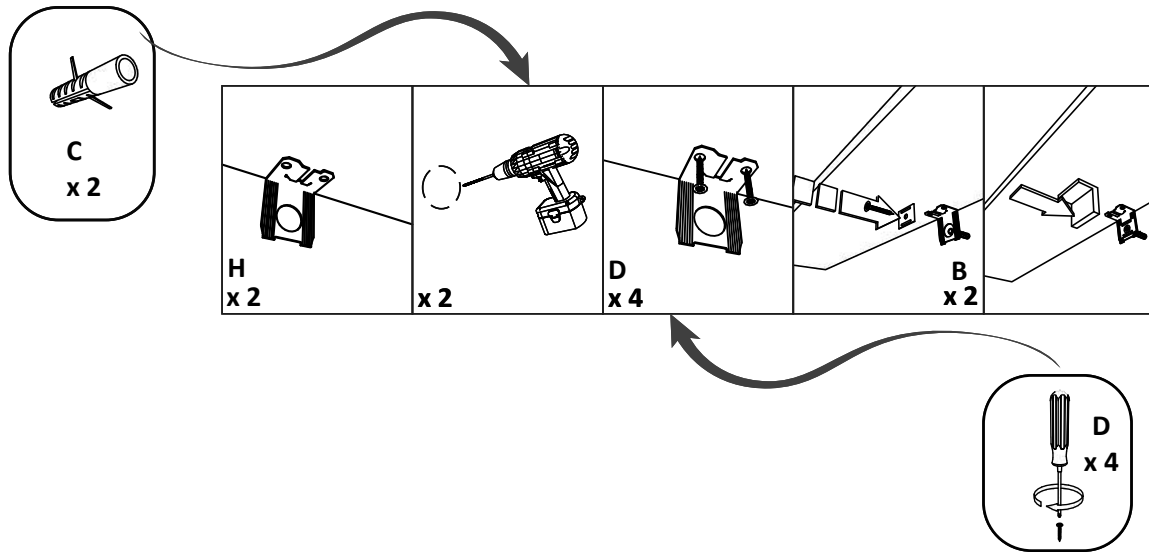
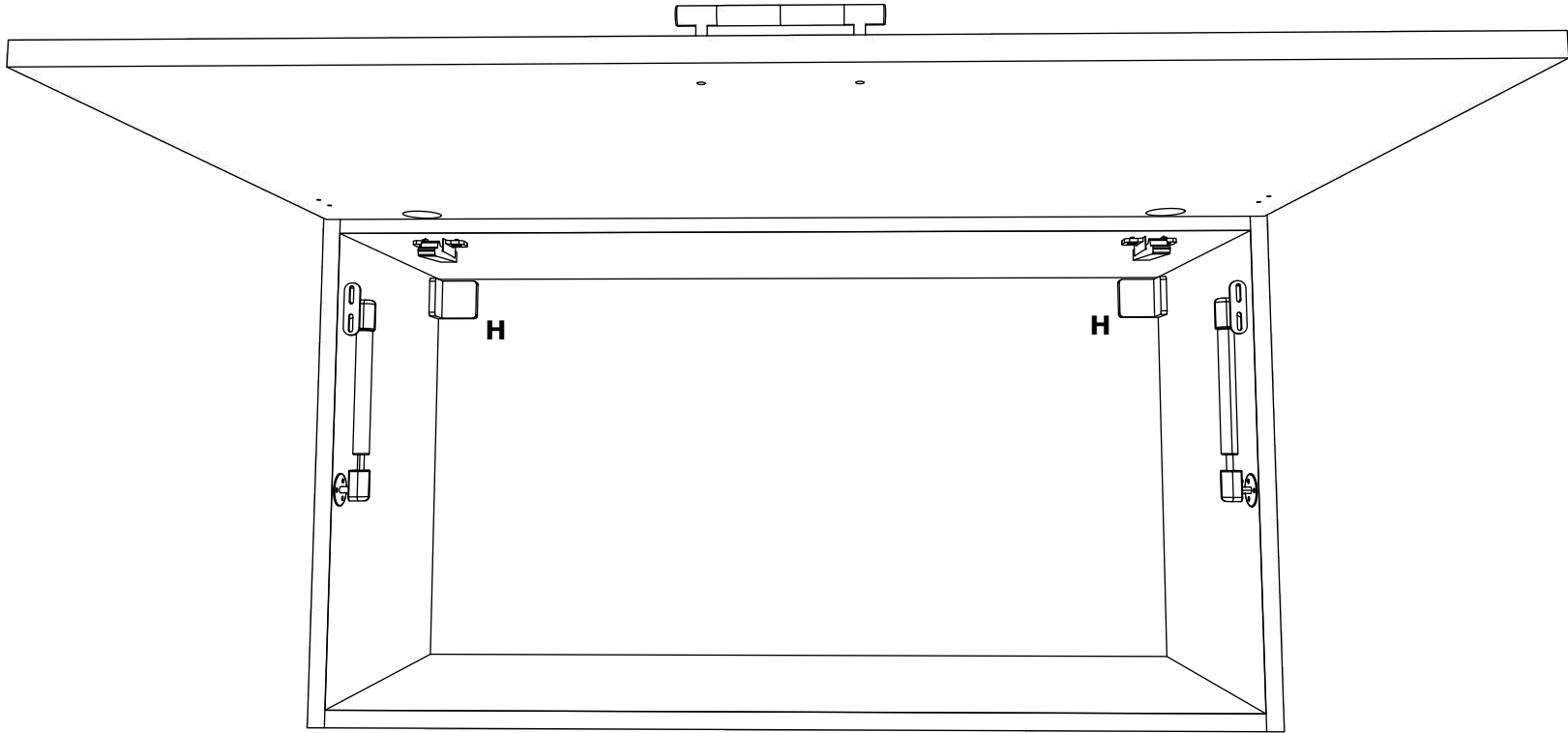
3



4



5



6

